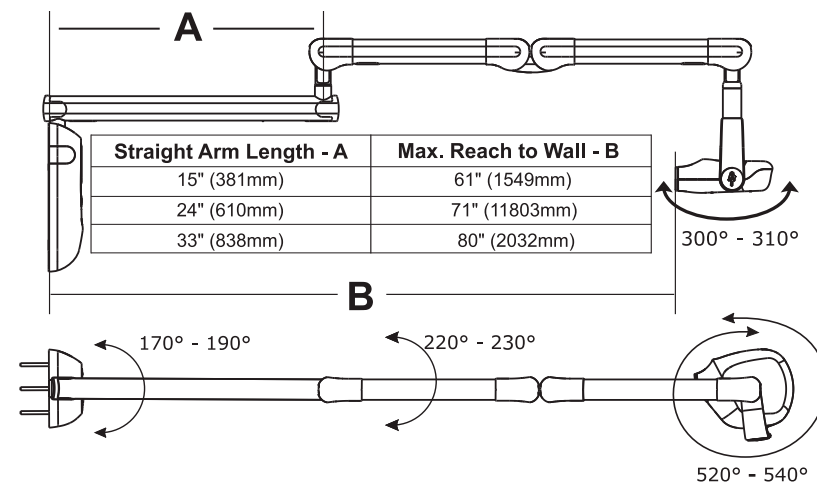
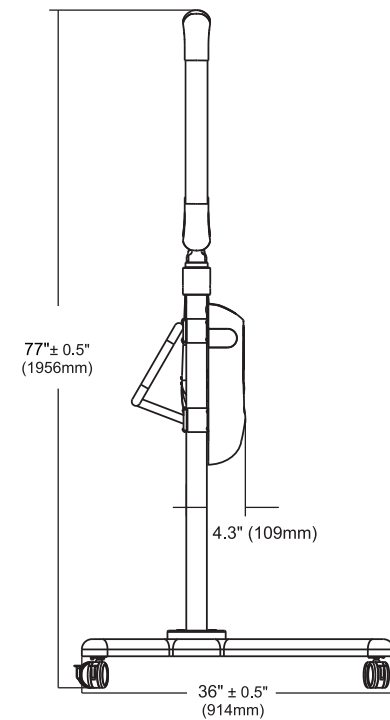
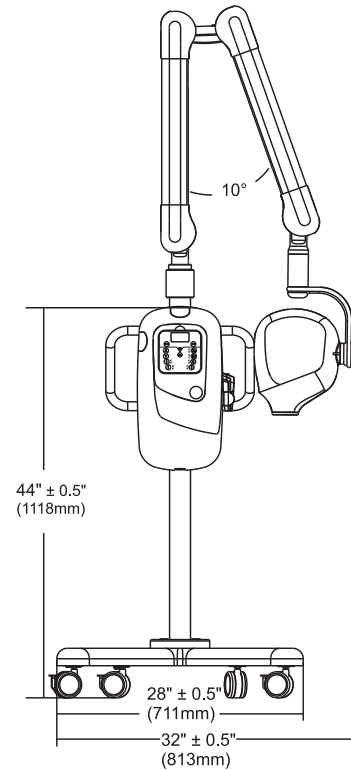


TECHNICAL DATA

Generator Type	High Frequency, Microprocessor Controlled, Constant Potential (DC)
Tube Voltage	60kV – 70kV Settable (Step size 1kV)
Tube Current	4mA – 8mA Settable (Step size 1mA) (7-8mA @ time ≤ 200ms)
Maximum Exposure Time	3.5s upto 6mA (7 & 8 mA 200ms Max)
Minimum Exposure Time	10 ms
Focal spot size	0.4 mm (IEC60336)
Total filtration	>2.5 mm Al equivalent at 70 kV
Leakage radiation @ 1m	< 0.88 mGy/h (100 mR/h)
Source to skin distance	9" ± 0.2" (in-built), 12.2" ± 0.2" with optional cone
Weight (Packed)	Wall Mount - 110 lbs. Mobile - 222 lbs Approx.
Height of unit with Arms folded	51" ± 0.5
Long Arm Rotation about Base	180° ± 10°
Scissor Arm Swing - Wall Mount	220° ± 10°
Scissor Arm Swing - Mobile	70° ± 10°
Tube-head swivel on horizontal plane	530° ± 10°
Tube-head rotation about Vertical Plane	305° ± 5°



INTRASKAN DCvet

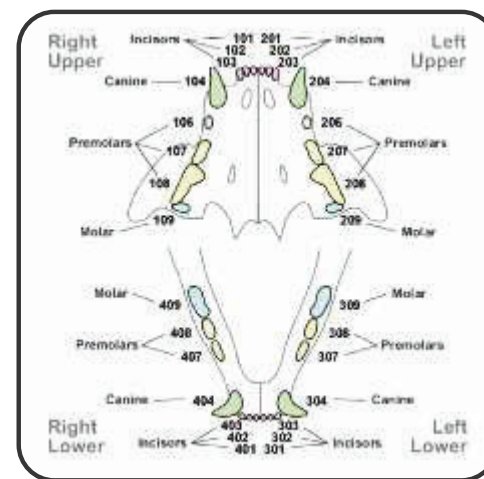
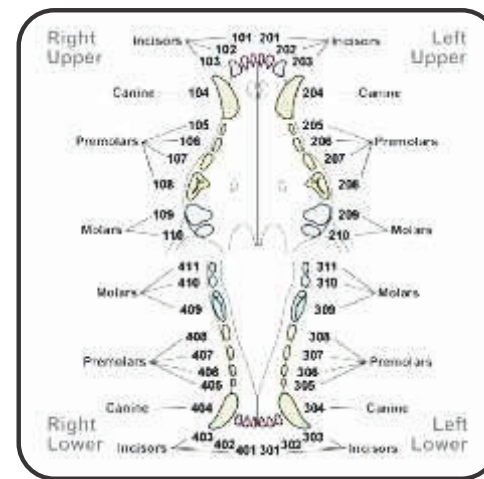
INTRASKAN DCvet with elegant ergonomics, stability and power provides high quality veterinary intraoral diagnostic radiography.

Design

By incorporating Innovative Technologies and the latest Dual Microprocessors, INTRASKAN DCvet has packed the power and intelligence in a number of ways to enhance the convenience of the clinician and pets. The sleek console is designed with graphical LCD to display exposure parameters modes of operations and self diagnostic messages.

High frequency DC

X-Ray of stable and fine quality is produced by the 100 kHz digital generator, offering good image quality at a minimum dose. The High frequency DC system significantly reduces harmful soft radiation, compared to the conventional AC machines.



ADVANCED TECHNOLOGY

State-of-the-art DC technology ensures excellent image quality and all the details needed for diagnosis.

EXCELLENT IMAGE QUALITY

The best focal spot of 0.4 guarantees sharp high quality diagnostic images.

INTUITIVE CONTROL

Simple control panel for automatic exposure setting.

3 DIFFERENT EXTENSION ARMS

Choose from 3 different extension arm lengths (15", 24" & 33") for wall mount to make your intraoral unit perfectly fit into your Veterinarian studio.

PROVEN RELIABILITY

Protection against tube overheating gives the unit a long life securing your investment.

INTEGRATION FLEXIBILITY

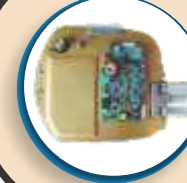
Available as a mobile or wall-mounted unit with three different extension arm lengths for flexible integration.

ERGONOMIC POSITIONING

Stable, easy to adjust arm ensures accurate and reliable positioning every time.

AUTOMATIC EXPOSURE SETTING

On selecting tooth type and pet size, the exposure parameters are automatically set ensuring optimum radiation dose.



SkanSHIELD®

The unique patented shielding methodology results in very low leakage radiation. This ensures that both pets and clinician are not exposed to unnecessary radiation.

SkanSAFE®

X-Rays generated with Dual-Processor control eliminates soft radiation. Products are designed and built to comply with global safety standards.



INTUITIVE CONSOLE

