

Tiger Handheld Portable X-ray for Podiatry



Handheld Cordless Portable Digital X-Ray System

Since its introduction, quality and safety have been paramount in the design of this model, making it a best-seller in the industry.

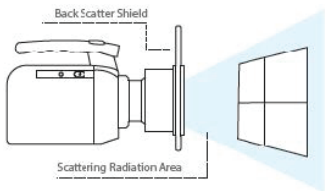


INTUITIVE UI

- The intuitive user interface allows for seamless adjustment of the exposure time
- Users can conveniently configure the desired parameters

WHY THE ADX

- It has been certified as safe for hand-held use
- The ADX model is compatible with any flat panel detector
- The device is also a cost-effective solution
- There is no need for a dedicated X-ray room



CREATIVE DESIGN

- Impressive weight of 3.8kgs for effortless portability and maneuverability
- Sleek and ergonomic camcorder-like design for enhanced aesthetics and user comfort
- Seamlessly designed for ease of use, promoting user-friendly operation
- The integrated aiming light enables precise device alignment for efficient positioning

ADVANCED RADIATION SAFETY

- Significantly reduced radiation doses (1/7 the amount), compared to other wall-mounted X-ray machines
- Internal Multiple Lead wrapping guarantees complete containment of radiation, leaving no room for any leakage
- Enhanced safety measures with the inclusion of a back scatter shield, safeguarding against radiation doses
- The implementation of a SSD Cage ensures minimal distance between the device and the patient

BATTERY

- Capture up to 300 shots per fully charged battery, ensuring an extended and uninterrupted imaging session
- Equipped with a high-capacity five cell battery pack, delivering reliable power for sustained usage



Call us for an in-office demo today
1-800-385-9593

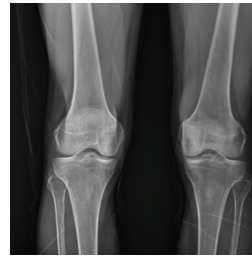


Tiger Handheld Portable X-ray for Podiatry

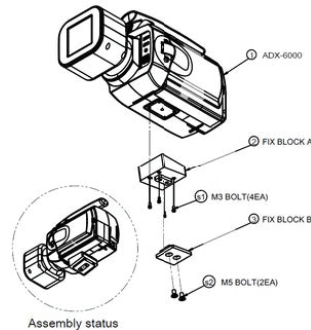
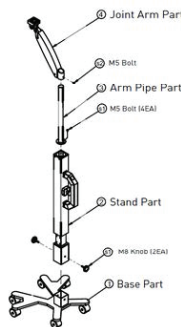
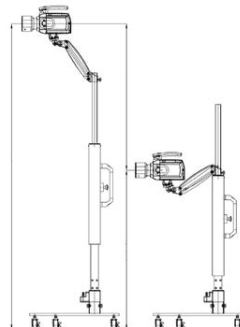
Handheld Cordless Portable Digital X-Ray System

SPECIFICATIONS

Tube Volt	50-80kV Adjustable
Tube Current	1 ~ 5 mA Adjustable
Tube Focal Spot	0.8 mm
Exposure Time	0.05 ~ 1.35 sec
Power	18.5Vdc Rechargeable Battery
Battery Charge Time	1.5 ~ 2.0 hrs
Weight	7.9 lbs
Display	4.8" TFT LCD Rotating
User Interface	Touch-screen & Ext. Buttons
Storage	Internal 4GB / External 16GB



Optional Stand Available



Call us for an in-office demo today
1-800-385-9593

2302 Beloit Avenue | Janesville, WI 53546 | 800.385.9593

www.televeresystems.com

TVADX6000SPOD-12.19.23